



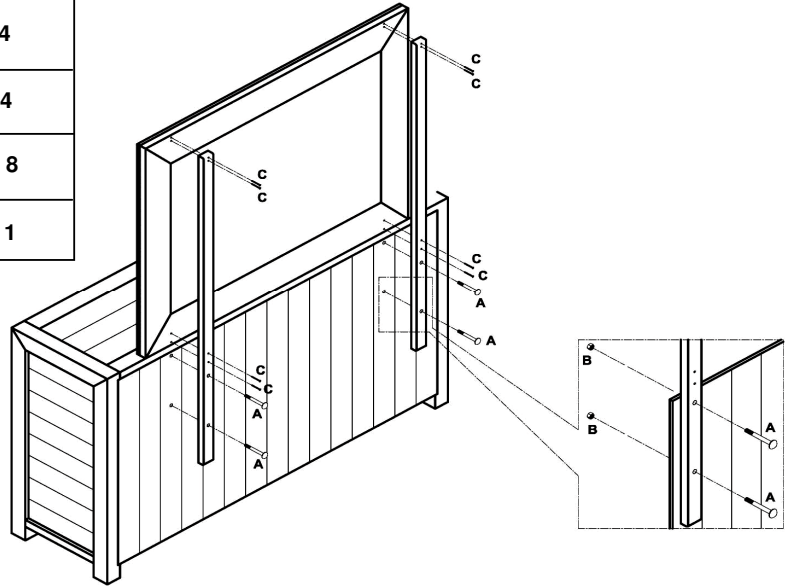


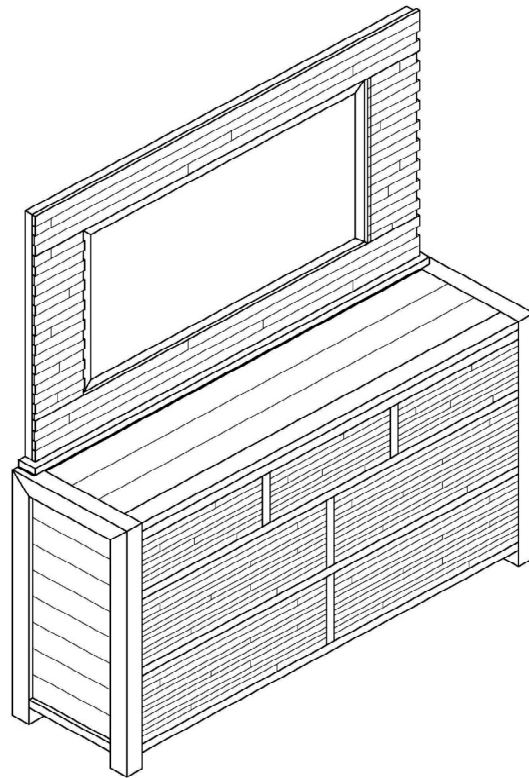
1

HARDWARE			QUANTITY
A	BLACK BOLT CUP HEAD $\Phi 10 \times$		4
B	BLACK NUT $\Phi 10$		4
C	SCREW $\Phi 4 \times 40$		8
D	RING SPANNER K17 x 25 x 135		1



Assembly requires two adults.
Attach the back support mirror by using bolt (A) and nut (B)
Then put the mirror on top of the cabinet using screw (C), (as picture shown).

2



FINISH

RECLAIMED is the trading brand of PLANTATION GROWN TIMBERS (INTERNATIONAL) LTD who is the owner of this assembly instruction. No person or organization is permitted to reproduce or modify under any circumstances wherever and however displayed without written permission.